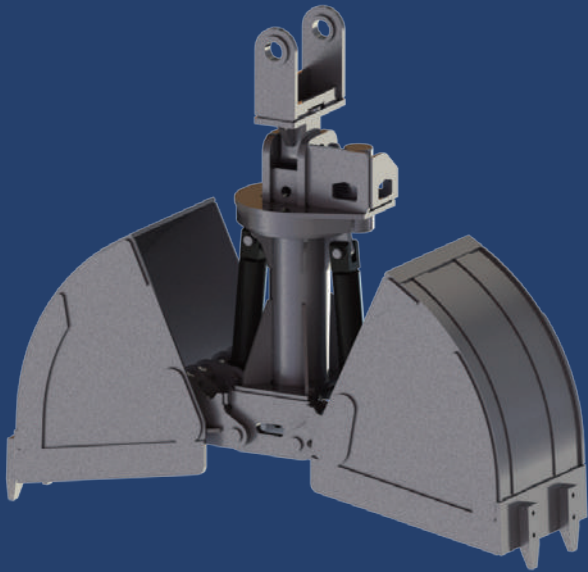


CLAMSHELL BUCKETS



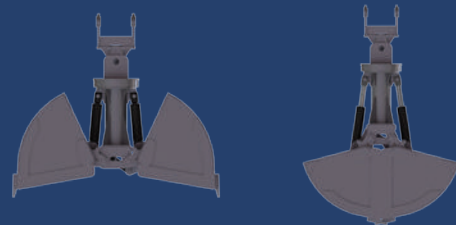
Clamshell Buckets are designed for the movement of earth sand, gravel, mud, cereals, coal, industrial and agricultural waste, minerals, etc.

360° HYDRAULIC ROTATION

-provides fast and precise positioning of the jaws.

HIGH QUALITY MATERIAL

-built with high quality steel for maximum strength and abrasion resistance.



SPECIFICATIONS

Model		Unit	TCB600	TCB800	TCB1000	TCB1500
Carrier Weight		ton	12-18	19-26	27-36	34-40
Operating Weight		kg	900	1100	1500	2200
Volume		m ³	0.6	0.8	1	1.5
Max. Oil Pressure		bar	280	280	280	280
Rated Oil Flow		l/min	130	150	200	220
Hyd. Rotation	Pressure	bar	150	150	150	150
	Oil Flow	l/min	30	30	30	30
Max. Opening		mm	1,990	2,000	2,165	2,450
Height		mm	1,859	2,450	2,575	2,833

Specifications are subject to change without notice

