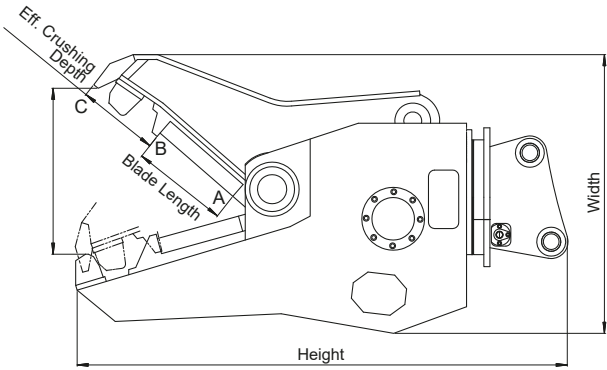
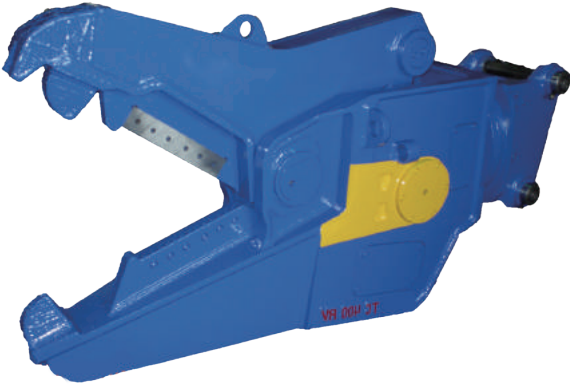


# CRUSHER CUTTER



Model	Carrier	Unit	Oil	Oil	Jaw	Blade	Cutting	Crushing	Height
	Weight	Weight	Pressure	Flow	Opening	Length	Force(A)	Force©	
TPO400RV	ton	kgs	bar	l/min	mm	mm	ton	ton	mm
	8-14	1200	320	160	650	350	186	57	1850